

ZITA MINI Series

REFRIGERATED DISPLAY

MODELS | ZITA MINI 12V, ZITA MINI 18V, ZITA MINI 24V, ZITA MINI 30V

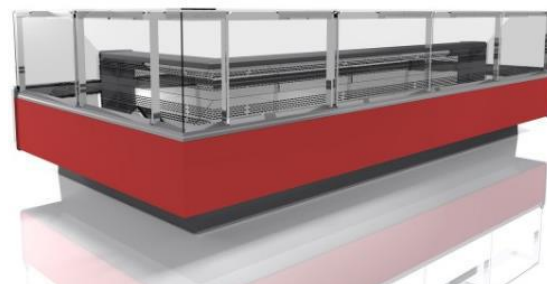


ZITA MINI SERIES – REFRIGERATED DISPLAY

The ZITA mini serve over counter is suitable for smaller shops with limited space options. With its square all-glass extension it enables an optimal view of all products in the case without any reflection. Dumper front glass is placed in the aluminium profile. Refrigerated understorage provides additional space for short-term storage or the products during the day. The high front panel might be equipped with a stainless steel bumper, the bottom plinth might be illuminated for a preferable effect. In case of interest, external covering could be adapted to the special customer requirements. Alongside there is still a possibility to assemble lines from different types of counters – ventilated, pastry, heated.

SPECIAL FEATURES

- Vertical glasses
- Opened down
- Around corner at bottom for easy cleaning
- Ventilated cooling system
- Electronic control system with temperature display
- Temperature sensor
- Automatic defrost
- Refrigerated storage
- T5 lighting
- Build-up in lines
- Stainless steel display area
- Large display area



ZITA MINI Series

REFRIGERATED DISPLAY

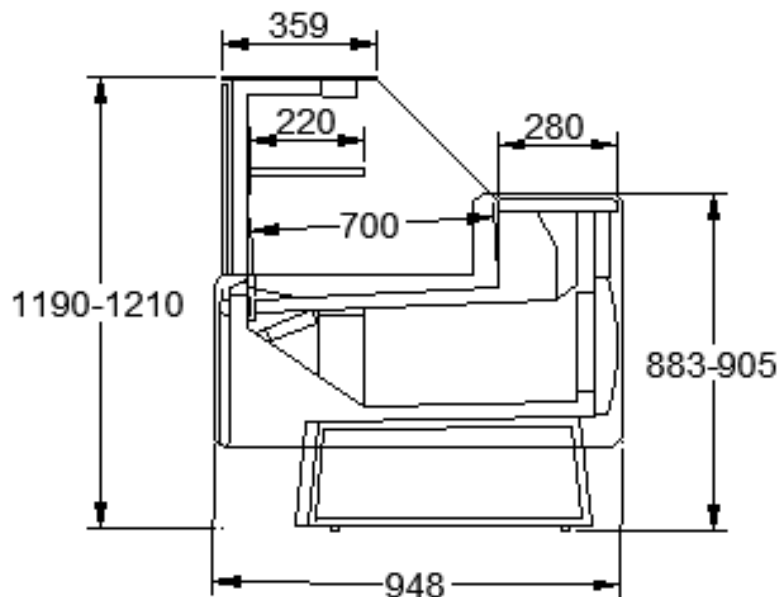


MODELS | ZITA MINI 12V, ZITA MINI 18V, ZITA MINI 24V, ZITA MINI 30V

TECHNICAL DATA

MODEL	TEMPERATURE	DIMENSIONS-WxDxH Inches mm	DISPLAY SURFACE m ²	VOLUME Liters	AMPS	VOLTAGE
ZITA MINI 12V	-1°C to 5°C	49-1/4* x 46-1/2 x 47-11/16 1250* x 1180 x 1210 *without sidewalls	1,1	458	12.0	115V
ZITA MINI 18V	-1°C to 5°C	73-13/16* x 46-1/2 x 47-11/16 1875* x 1180 x 1210 *without sidewalls	1,8	688	12.0	115V
ZITA MINI 24V	-1°C to 5°C	98-7/16* x 46-1/2 x 47-11/16 2500* x 1180 x 1210 *without sidewalls	2,4	917	12.0	115V
ZITA MINI 30V	-1°C to 5°C	123* x 46-1/2 x 47-11/16 3125* x 1180 x 1210 *without sidewalls	2,9	1146	12.0	230V

CUT VIEW



ZITA MINI Series

REFRIGERATED DISPLAY – SERVE OVER

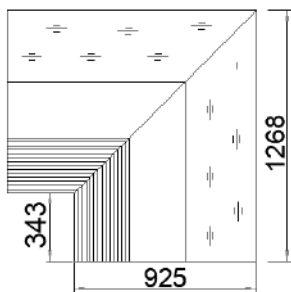


MODELS | ZITA MINI 45°E, ZITA MINI 45°I, ZITA MINI 90°E, ZITA MINI 90°I

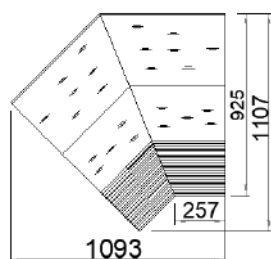
OTHER MODELS

MODEL	TEMPERATURE	DIMENSIONS-WxDxH Inches mm	DISPLAY SURFACE m ²	VOLUME Liters	AMPS	VOLTAGE
ZITA MINI 45°E	-1°C to 5°C	43 x 43-1/2 x 47-11/16 1093 x 1107 x 1210	0,81	80	12.0	115V
ZITA MINI 45°I	-1°C to 5°C	38-3/8 x 41-5/8 x 47-11/16 975 x 1058 x 1210	0,70	75	12.0	115V
ZITA MINI 90°E	-1°C to 5°C	36-1/2 x 50 x 47-11/16 925 x 1268 x 1210	1,48	155	12.0	115V
ZITA MINI 90°I	-1°C to 5°C	36-1/2 x 43-5/16 x 47-11/16 925 x 1100 x 1210	1,18	145	12.0	115V

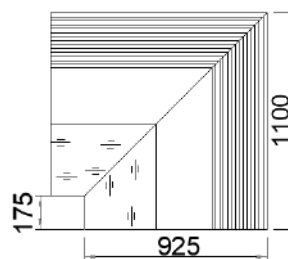
CUT VIEW



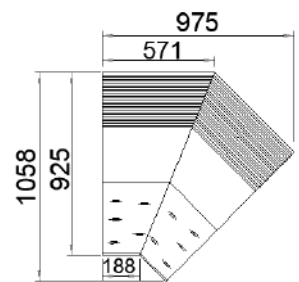
ZITA MINI 90°E



ZITA MINI 45°E



ZITA MINI 90°I



ZITA MINI 45°I

NOTE : These merchandisers are designed for use in stores when temperature and humidity do not exceed 24 °C and 55% RN. Designed for holding pre-chilled product only.

We reserve the right to change or revise specifications and product design in connection with any feature of our products. Such changes do not entitle the buyer to corresponding changes, improvements, additions, or replacements for equipment previously sold or shipped.