

PT Series

SALAD / SANDWICH PREP TABLE



MODELS | PT-2-60, PT-3-70

PT – SALAD & SANDWICH PREP TABLE

Ample prep space to create subs, salads and sandwiches with convenient cold ingredient storage.

CABINET CONSTRUCTION

Heavy duty construction includes 430 type stainless steel exterior with a 304 type stainless steel interior and an overall 35-1/4" working height.

Foamed-in-place CFC and HCFC free polyurethane insulation enhances the structural strength of the cabinet and helps increase energy efficiency. Insulated lid helps maintain safe product temperatures.

Full length, 11-1/2" deep cutting board for easy prep work.

2 and 3 doors feature easy-to-use recessed handles for quick interior access. Door stays open past 90° for easy loading, but will self-close under 90° to save energy.

REFRIGERATION SYSTEM

Environmentally safe R290 refrigerant. Rear-mounted condensing unit positioned for easy maintenance.

MODEL FEATURES

Preprogrammed digital controller features auto-defrost function.

Top pan rail holds up to (16) 1/6 size, 6" deep food pans. Pan rail is air cooled from the bottom.

SPECIAL FEATURES

- Stainless steel interior and exterior, aluminium back. Option of bright white aluminum interior available.
- Refrigeration system keeps food at safe temperatures between 0.5 °C to 5 °C.
- Self-closing doors with 90 degree stay-open feature.
- Shelves : adjustable heavy-duty PVC coated shelves.
- Cutting boards and pans available.
- Electronic control system makes it easy to adjust temperature set point and defrost frequency.
- Preinstalled heavy-duty casters with brakes.
- Removable installation board makes it easy to access condenser coil for cleaning and service.
- Option of different handles available.



PT Series

SALAD / SANDWICH PREP TABLE



MODELS | PT-2-60, PT-3-70

TECHNICAL DATA

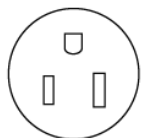
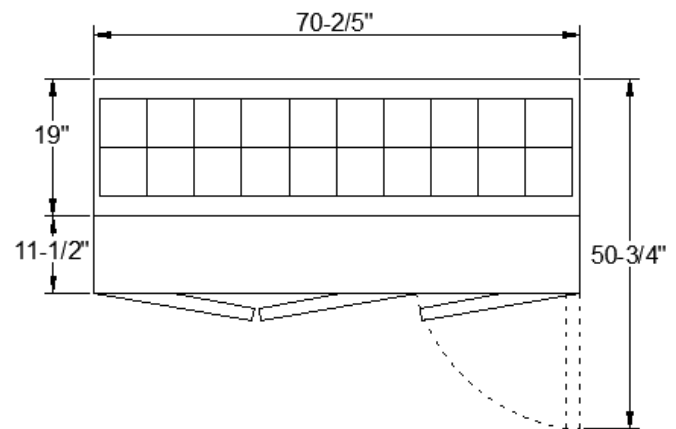
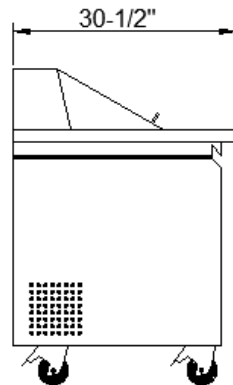
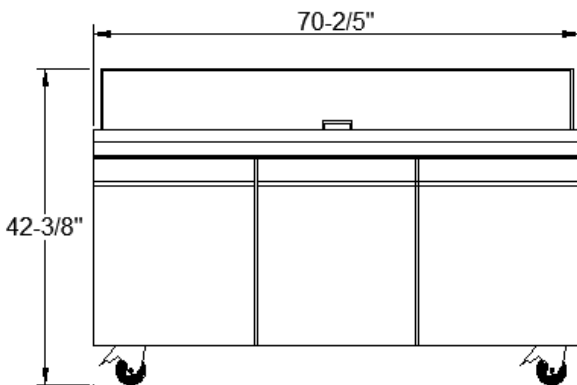
MODEL	DOORS	TEMPERATURE	REFRIGERANT	DIMENSIONS-WxDxH		CAPACITY L FT ³	AMPS	VOLTAGE
				Inches	mm			
PT-2-60	2	0.5°C to 5°C	R290	60-1/5	30-1/2 x 42-3/8 1529 x 750 x 1075	428 15	4.8	115V 60 Hz
PT-3-70	3	0.5°C to 5°C	R290	70-2/5	30-1/2 x 42-3/8 1787 x 750 x 1075	440 15.5	9.36	115V 60 Hz

PLAN VIEW (PT-3-70)

FRONT VIEW

SIDE VIEW

TOP VIEW



NEMA 5-15P

NOTE: These merchandisers are designed for use in stores when temperature and humidity do not exceed 24°C and 55% RH. Designed for holding pre-chilled product only.

We reserve the right to change or revise specifications and product design in connection with any feature of our products. Such changes do not entitle the buyer to corresponding changes, improvements, additions, or replacements for equipment previously sold or shipped.