

PCV Series

REFRIGERATED DISPLAY – 2 SHELVES



MODELS | PCV2-36, PCV2-48, PCV2-60, PCV2-72

PCV – REFRIGERATED DISPLAY

For showcasing refrigerated products at maximum visibility.

CABINET CONSTRUCTION

Heavy duty construction includes stainless steel floor and walls, 4 sides tempered glass for to avoid injury by broken glass and preinstalled hidden caster design.

2 removable sliding doors in rear for service.

REFRIGERATION SYSTEM

Environmentally safe R290 refrigerant. Bottom-mounted condensing unit positioned for easy maintenance. Forced-air system to keep food fresh and prevent it for drying out.

MODEL FEATURES

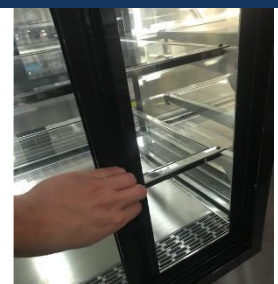
Preprogrammed digital controller features auto-defrost function and electronic control system makes it easy to adjust temperature set point.

12 V LED lighting system, safe for users to operate.

2 adjustable glass shelves.

SPECIAL FEATURES

- Refrigeration system maintains temperatures between 2 °C to 6 °C
- Exterior : Stainless steel floor and walls, standard
- Sliding doors
- 12 V LED lighting system, safe for users to operate
- Tempered glass to avoid injury by broken glass
- Preinstalled hidden caster design
- Shelves : Adjustable glass shelves provide extra large viewing area to maximize bakery product presentation
- Electronic control system makes it easy to adjust temperature set point and defrost frequency
- Removable installation board makes it easy to access condenser coil for cleaning and service
- NSF-7 compliant for open food product



PCV Series

REFRIGERATED DISPLAY – 2 SHELVES

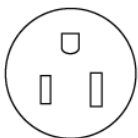
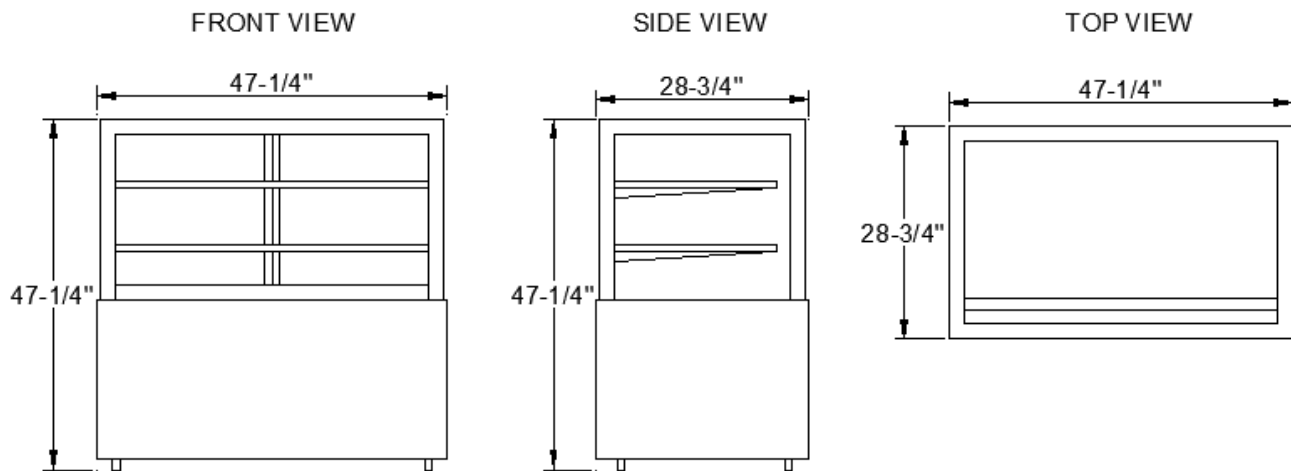


MODELS | PCV2-36, PCV2-48, PCV2-60, PCV2-72

TECHNICAL DATA

MODEL	WEIGHT N.W (KG) G.W (KG)	TEMPERATURE	REFRIGERANT	DIMENSIONS-WxDxH		CAPACITY L FT ³	AMPS	VOLTAGE
				Inches	mm			
PCV2-36	160 180	2°C to 6°C	R290	35-3/8 x 28-3/4 x 47-1/4	900 x 730 x 1200	320 11.3	6.9	115V 60 Hz
PCV2-48	210 230	2°C to 6°C	R290	47-1/4 x 28-3/4 x 47-1/4	1200 x 730 x 1200	400 12	7.2	115V 60 Hz
PCV2-60	230 250	2°C to 6°C	R290	59-1/8 x 28-3/4 x 47-1/4	1500 x 730 x 1200	500 17.7	8.1	115V 60 Hz
PCV2-72	250 270	2°C to 6°C	R290	70-7/8 x 28-3/4 x 47-1/4	1800 x 730 x 1200	600 21.2	8.3	115V 60 Hz

PLAN VIEW (PCV2-48)



NEMA 5-15P

NOTE: These merchandisers are designed for use in stores when temperature and humidity do not exceed 24°C and 55% RH. Designed for holding pre-chilled product only.

We reserve the right to change or revise specifications and product design in connection with any feature of our products. Such changes do not entitle the buyer to corresponding changes, improvements, additions, or replacements for equipment previously sold or shipped.