

MAT Series

REFRIGERATED CAKE DISPLAY



MODELS | MAT400R

MAT SERIES – REFRIGERATED CAKE DISPLAY

Display your bakery goods, cakes and dessert with this curved glass refrigerated cake display.

CABINET CONSTRUCTION

Heavy duty construction includes a stainless steel body base with a curved glass made with double tempered glass.

REFRIGERATION SYSTEM

Environmentally safe R134A refrigerant. Bottom-mounted condensing unit positioned for easy maintenance.

Maintains a temperature range from 2°C to 8°C. Includes automatic defrost setting with a ventilated cooling system.

STORAGE

Includes (4) 27" diameter adjustable glass shelves that can be rotated manually.

MODEL FEATURES

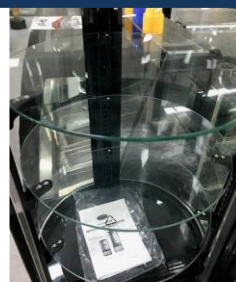
Brilliant internal LED lighting at 2 sides.

Option : You can replace the glass shelves by adjustable chromed shelves.

The door will automatically close if left open to prevent product loss.

SPECIAL FEATURES

- Brilliant internal LED lighting at 2 side
- Digital temperature control and display
- Adjustable glass shelves
- 5 casters with 2 brakes
- Shelf rotatable manually
- Double tempered glass
- Ventilated cooling system
- Automatic defrost
- Automatic closing door
- Stainless steel body base
- Option : adjustable chromed shelves



MAT Series

REFRIGERATED CAKE DISPLAY

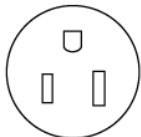
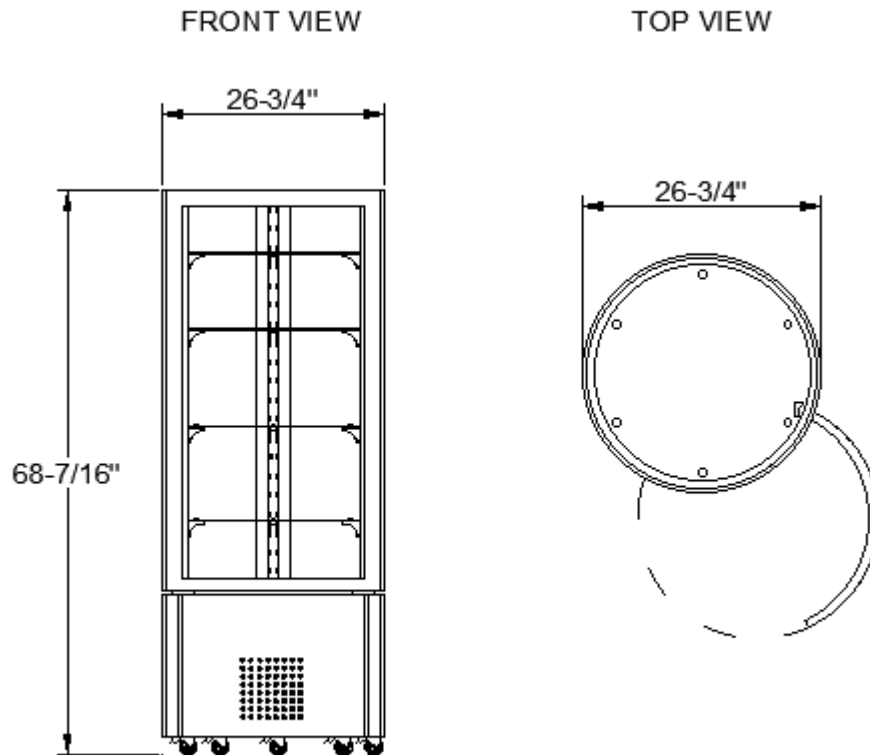


MODELS | MAT400R

TECHNICAL DATA

MODEL	WEIGHT N.W (KG) G.W (KG)	TEMPERATURE	REFRIGERANT	DIMENSIONS-WxDxH		CAPACITY L FT ³	AMPS	VOLTAGE
				Inches	mm			
MAT440R	127	2°C to 8°C	R134A	26-3/4	68-7/16	360	4.17	115V
	140		R290	680	1740			

PLAN VIEW



NEMA 5-15P

NOTE : These merchandisers are designed for use in stores when temperature and humidity do not exceed 24°C and 55% RH. Designed for holding pre-chilled product only.

We reserve the right to change or revise specifications and product design in connection with any feature of our products. Such changes do not entitle the buyer to corresponding changes, improvements, additions, or replacements for equipment previously sold or shipped.