

MAT Series

REFRIGERATED DISPLAY (GRAB & GO)



MODELS | MAT360L

MAT SERIES – REFRIGERATED DISPLAY 2 SHELVES

Display your grab and go items in style while keeping them chilled.

CABINET CONSTRUCTION

Heavy duty construction includes a coated steel in white finish with a single tempered glass for each side.

REFRIGERATION SYSTEM

Environmentally safe R404A refrigerant. Bottom-mounted condensing unit positioned for easy maintenance.

Maintains a temperature range from 2°C to 10°C. Includes automatic defrost setting with a ventilated cooling system.

STORAGE

Includes (2) 12" x 31" adjustable shelves with molding price tag.

MODEL FEATURES

Comes with 2 with adjustable height that each include a brilliant internal LED illumination.

Energy-saving night cover included for off hours.

Light box on top to display your brand on your refrigerated display.

SPECIAL FEATURES

- Brilliant internal LED illumination each shelf
- Digital temperature control and display
- Adjustable glass shelves
- 4 casters with 2 brakes
- Side single tempered glass
- Filter mesh in front of the base
- With night curtain
- Ventilated cooling system
- Automatic defrost
- Condensation water evaporated automatically. Condensator at back side, free maintenance.
- Light box on top



MAT Series

REFRIGERATED DISPLAY (GRAB & GO)

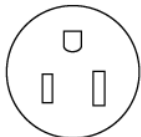
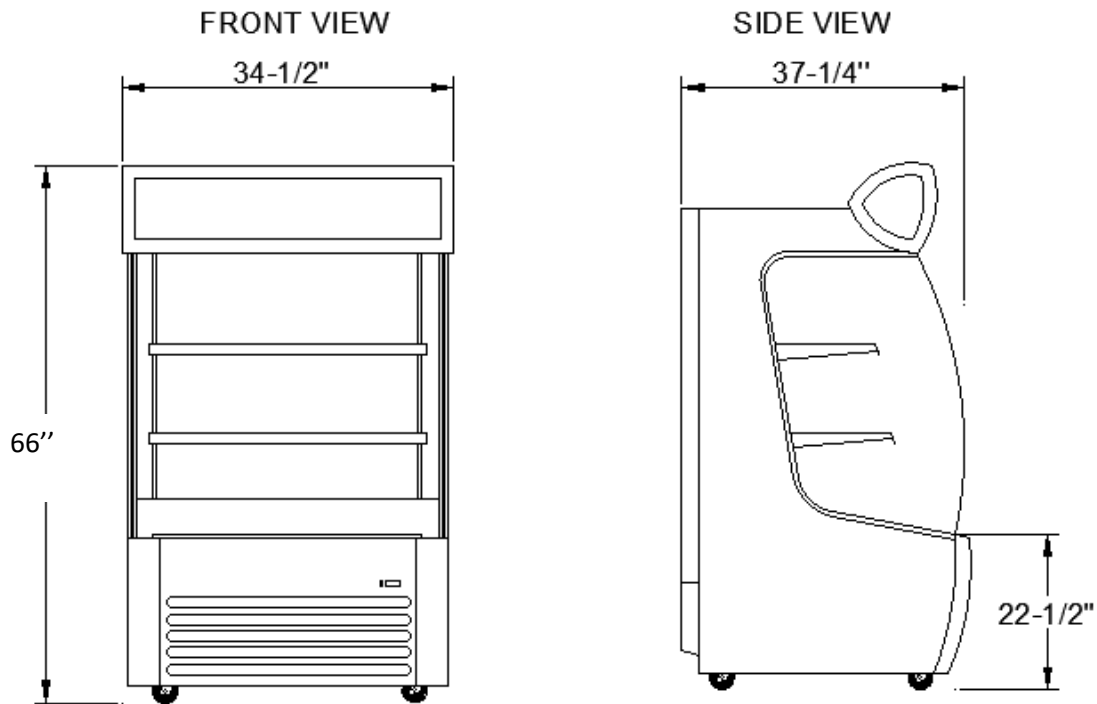


MODELS | MAT360L

TECHNICAL DATA

| MODEL | WEIGHT N.W (KG) G.W (KG) | TEMPERATURE | REFRIGERANT | DIMENSIONS-WxDxH Inches | CAPACITY L FT ³ | AMPS | VOLTAGE |
|---------|--------------------------------|-------------|---------------|----------------------------|----------------------------------|-------|---------------|
| MAT360L | 125 145 | 2°C to 10°C | R404A R290 | 34-1/2 x 37-1/4 x 66 | 360 12.71 | 12.17 | 115V 60 Hz |

PLAN VIEW



NEMA 5-15P

NOTE : These merchandisers are designed for use in stores when temperature and humidity do not exceed 24°C and 55% RH. Designed for holding pre-chilled product only.

We reserve the right to change or revise specifications and product design in connection with any feature of our products. Such changes do not entitle the buyer to corresponding changes, improvements, additions, or replacements for equipment previously sold or shipped.

MAJFEV21