

# MAT Series

## REFRIGERATED COUNTERTOP DISPLAY



MODELS | MAT105L

### MAT SERIES – REFRIGERATED COUNTERTOP DISPLAY

Enhance the presentation of your cold food items.

#### CABINET CONSTRUCTION

Heavy duty construction includes stainless steel interior with a 4 sides double tempered glass.

#### REFRIGERATION SYSTEM

Environmentally safe R404A refrigerant. Back side condensing unit positioned for easy maintenance.

Maintains a temperature range from 0°C to 12°C. Includes automatic defrost setting with a ventilated cooling system.

#### STORAGE

Includes (2) adjustable stainless steel shelves.

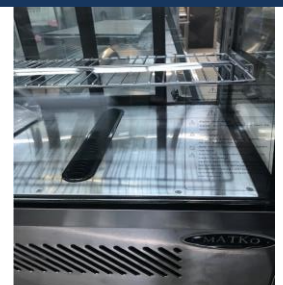
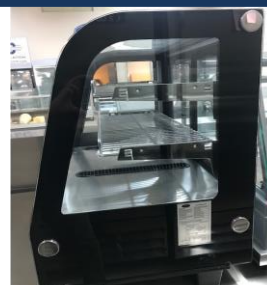
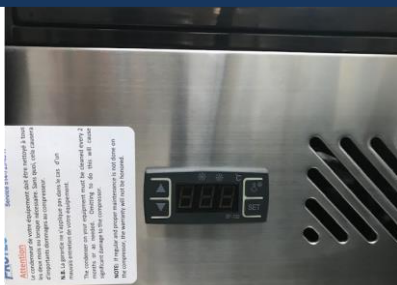
#### MODEL FEATURES

Comes with 2 shelves with adjustable height.

Sliding doors in the back to help you easily access your products.

### SPECIAL FEATURES

- Brilliant internal LED illumination each shelf
- Digital temperature control and display
- Adjustable chrome plated shelves
- 4 sides double glass
- Sliding doors
- Stainless steel
- Front curved glass
- Ventilated cooling system
- Automatic defrost



# MAT Series

## REFRIGERATED COUNTERTOP DISPLAY

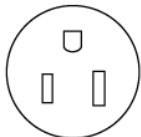
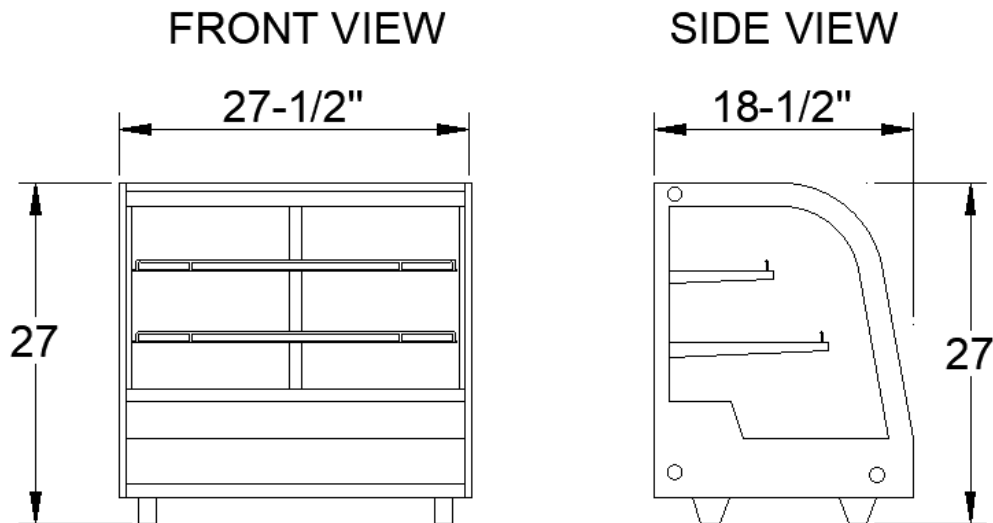


MODELS | MAT105L

### TECHNICAL DATA

MODEL	WEIGHT N.W (KG) G.W (KG)	TEMPERATURE	REFRIGERANT	DIMENSIONS-WxDxH		CAPACITY L FT <sup>3</sup>	AMPS	VOLTAGE
				Inches	mm			
MAT105L	54	0°C to 12°C	R134A	27-1/2 x 18-1/2 x 27	695 x 470 x 685	100 3.53	1.5	115V 60 Hz
	57							

### PLAN VIEW



NEMA 5-15P

**NOTE :** These merchandisers are designed for use in stores when temperature and humidity do not exceed 24°C and 55% RH. Designed for holding pre-chilled product only.

We reserve the right to change or revise specifications and product design in connection with any feature of our products. Such changes do not entitle the buyer to corresponding changes, improvements, additions, or replacements for equipment previously sold or shipped.