

# KLAUDIA Series

## REFRIGERATED DISPLAY – SERVE OVER

**MODELS** | KLAUDIA 12V, KLAUDIA 18V, KLAUDIA 24V, KLAUDIA 30V, KLAUDIA 36V



### KLAUDIA SERIES – REFRIGERATED DISPLAY

The serve over refrigerated counter Klaudia suits every interior with its round extension and round sidewalls. It is equipped with a ventilated refrigeration, with an evaporator place under the display area, with an airflow securing the refrigeration of the display area from the bottom and the following refrigeration of the products in the display area. Simultaneously is also refrigerated the storage, which is accessible through the door at the back wall of the cabinet. The display area and exhaust grid are from stainless material. For alleviation of the cleaning are these panels easily removable without using any tools. The front curved glass is lifted up by pistons. The light is fixed at the back legs under the fancy aluminium profile. KLAUDIA range involves plenty of different types of cabinets those could be built into the integrated lines – ventilated, self service, pastry, warm, cakes, etc.

### SPECIAL FEATURES

- Curved front glass
- Opened up
- Around corner at bottom for easy cleaning
- Ventilated cooling system
- Electronic control system with temperature display
- Temperature sensor
- Automatic defrost
- Refrigerated storage
- T5 lighting
- Build-up in lines with other KLAUDIA products
- Stainless steel display area



# KLAUDIA Series

## REFRIGERATED DISPLAY – SERVE OVER

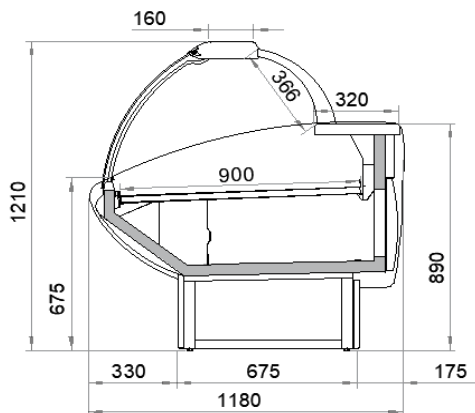


MODELS | KLAUDIA 12V, KLAUDIA 18V, KLAUDIA 24V, KLAUDIA 30V, KLAUDIA 36V

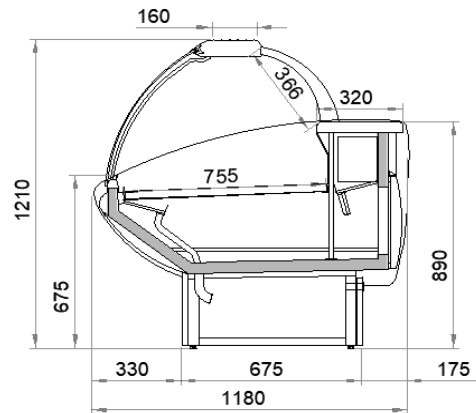
### TECHNICAL DATA

MODEL	TEMPERATURE	DIMENSIONS-WxDxH Inches mm	DISPLAY SURFACE m <sup>2</sup>	VOLUME Liters	AMPS	VOLTAGE
KLAUDIA 12V	1°C to 4°C	49-1/4* x 46-1/2 x 47-11/16 1250* x 1180 x 1210 *without sidewalls	1,1	458	12.0	115V
KLAUDIA 18V	1°C to 4°C	73-13/16* x 46-1/2 x 47-11/16 1875* x 1180 x 1210 *without sidewalls	1,8	688	12.0	115V
KLAUDIA 24V	1°C to 4°C	98-7/16* x 46-1/2 x 47-11/16 2500* x 1180 x 1210 *without sidewalls	2,4	917	12.0	115V
KLAUDIA 30V	1°C to 4°C	123* x 46-1/2 x 47-11/16 3125* x 1180 x 1210 *without sidewalls	2,9	1146	12.0	230V
KLAUDIA 36V	1°C to 4°C	147-5/8* x 46-1/2 x 47-11/16 3750* x 1180 x 1210 *without sidewalls	3,6	1375	12.0	230V

### CUT VIEW



KLAUDIA V



KLAUDIA S (FISH)

# KLAUDIA Series

## REFRIGERATED DISPLAY – SERVE OVER

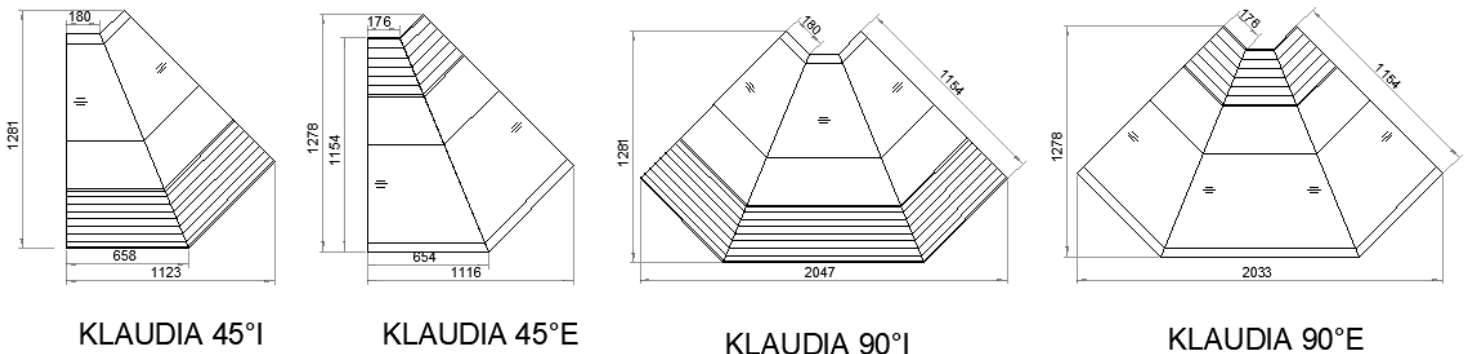


MODELS | KLAUDIA 45°E, KLAUDIA 45°I, KLAUDIA 90°E, KLAUDIA 90°I

### TECHNICAL DATE

MODEL	TEMPERATURE	DIMENSIONS-WxDxH Inches mm	DISPLAY SURFACE m <sup>2</sup>	VOLUME Liters	AMPS	VOLTAGE
KLAUDIA 45°E	1°C to 4°C	43-15/16 x 50-5/16 x 47-11/16 1116 x 1278 x 1210	0,96		12.0	115V
KLAUDIA 45°I	1°C to 4°C	44-1/4 x 50-7/16 x 47-11/16 1123 x 1281 x 1210	0,96		12.0	115V
KLAUDIA 90°E	1°C to 4°C	80 x 50-5/16 x 47-11/16 2033 x 1278 x 1210	1,92		12.0	115V
KLAUDIA 90°I	1°C to 4°C	80-5/8 x 50-7/16 x 47-11/16 2047 x 1281 x 1210	1,92		12.0	115V

### TOP VIEW



# KLAUDIA Series

## REFRIGERATED DISPLAY – SERVE OVER

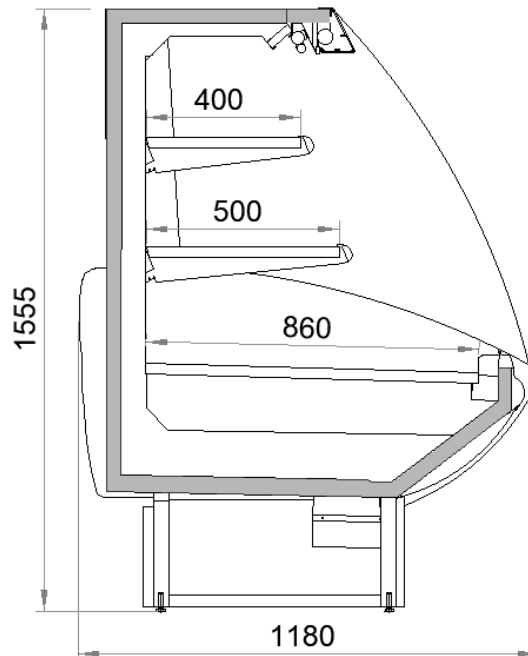
MODELS | KLAUDIA SEMI 12V, KLAUDIA SEMI 18V



### TECHNICAL DATA

MODEL	TEMPERATURE	DIMENSIONS-WxDxH Inches mm	DISPLAY SURFACE m <sup>2</sup>	VOLUME Liters	AMPS	VOLTAGE
KLAUDIA SEMI 12V	1°C to 4°C	47-1/4* x 46-7/16 x 61-1/4 1200* x 1180 x 1555 *without sidewalls	2,12		12.0	115V
KLAUDIA SEMI 18V	1°C to 4°C	70-3/4* x 46-7/16 x 61-1/4 1800* x 1180 x 1555 *without sidewalls	3,17		12.0	230V

### CUT VIEW



**NOTE :** These merchandisers are designed for use in stores when temperature and humidity do not exceed 24 °C and 55% RN. Designed for holding pre-chilled product only.

We reserve the right to change or revise specifications and product design in connection with any feature of our products. Such changes do not entitle the buyer to corresponding changes, improvements, additions, or replacements for equipment previously sold or shipped.