

GES-5420

This extreme production soft serve freezer has two separate dispensing heads, allowing multiple crew members to dispense product at the same time. Electro Freeze[™] pressurized freezers are ideal for high fat mixes and will serve a smooth, creamy product consistently and reliably.



Multi-function LED Display
 with manager smart tools.

Virtual Quality Management System[™]
 monitors Temperature and Consistency to provide superior taste and quality.

Pump Forward Design

New pump forward design reduces maintenance and cleaning time.



Optional Sliding Tray Mix Storage

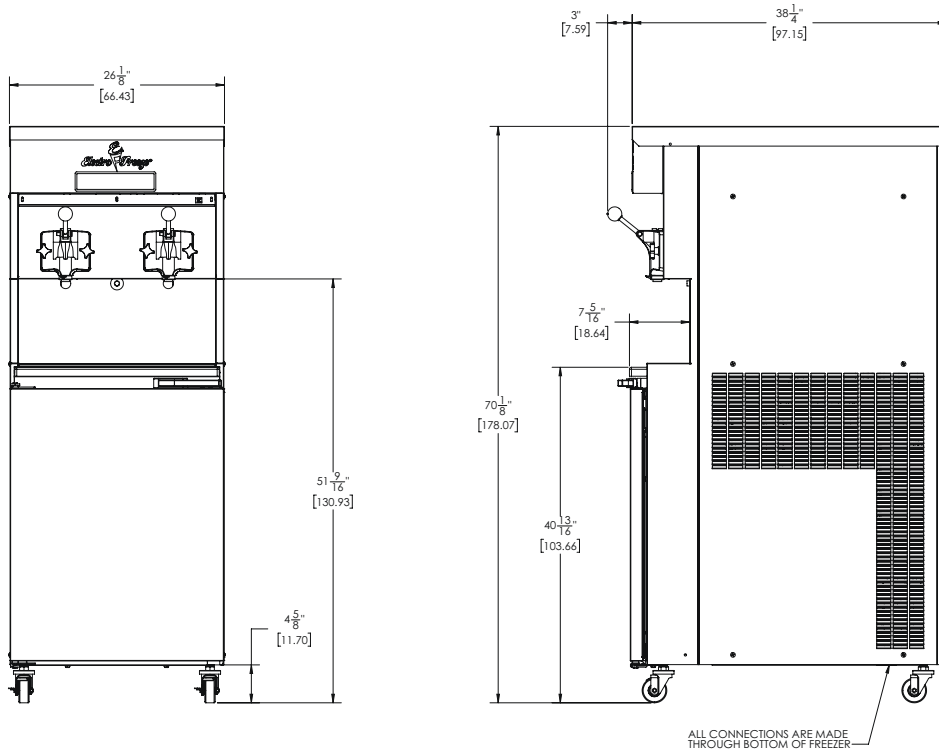
Mix tray slides out with mix containers in place which makes adding mix quicker and easier.



Self Closing Spigots
 prevents the mess and eliminates waste

Scroll Compressor Technology
 provides increased capacity, reliability and efficiency.

GES-5420 Soft Serve Freezer



MODEL GES-5420 SPECIFICATIONS

Due to continual product improvements all specifications are subject to change without notice.

Weights	lbs.	kgs.	
Net	847	384	
Crated	993	450	
	cu.ft.	cu.m.	
Volume	58.42	1.65	
Dimensions	in.	cm	
Width	26-3/16	66.52	
Depth	38-1/4	97.15	
Height	68-1/16	172.88	
Electrical	Maximum Fuse Size	Minimum Ampacity (Qty)	NEMA Plug Type
208-230/60/1 Air	35 (2)	29 (2)	2P, 2W
208-230/60/1 Water	35 (2)	27.5 (2)	2P, 2W
208-230/60/3 Air	25 (2)	20 (2)	3P, 3W
208-230/60/3 Water	25 (2)	19 (2)	3P, 3W

Electrical characteristics other than above available on request from factory or local distributor. Check nameplate for exact electrical data.

Bidding Spec

Electrical: Volt _____ Hz _____ Ph _____

Cooling: _____ Neutral _____ Yes _____ No

Options: _____

Electrical

Two dedicated electrical connections are required. Manufactured to be permanently connected. See electrical chart for the proper requirement. Consult your local electrical codes for cord and receptacle specifications.

Beater Motor

Two, 2hp.

Refrigeration Systems

Two, 19,000 Btuh. R404a.
 Separate Cabinet Refrigeration, One, 1200 Btuh, R134a.
 Btuh may vary depending on compressor used.

Air Cooled

For proper air circulation, unit requires 6" (15.2 cm) air space at rear panel or 6" side clearance with 1" back and 29" top clearance.

Mix Container Capacity: two - 26 quarts (24.6 liters) each

Freezing Cylinder Capacity: two - 5 quarts (4.7 liters) each

Certified and/or listed by:



*UL listed and listed by Underwriters Laboratories under Canadian National Standard C22.2 No. 120-13



Electro Freeze div. of H.C. Duke & Son, LLC

2116-8th Avenue, East Moline, Illinois 61244 USA
 Phone (309) 755-4553 • (800) 755-4545
 FAX (309) 755-9858
 E-mail: sales@electrofreeze.com • www.electrofreeze.com

Authorized Distributor