

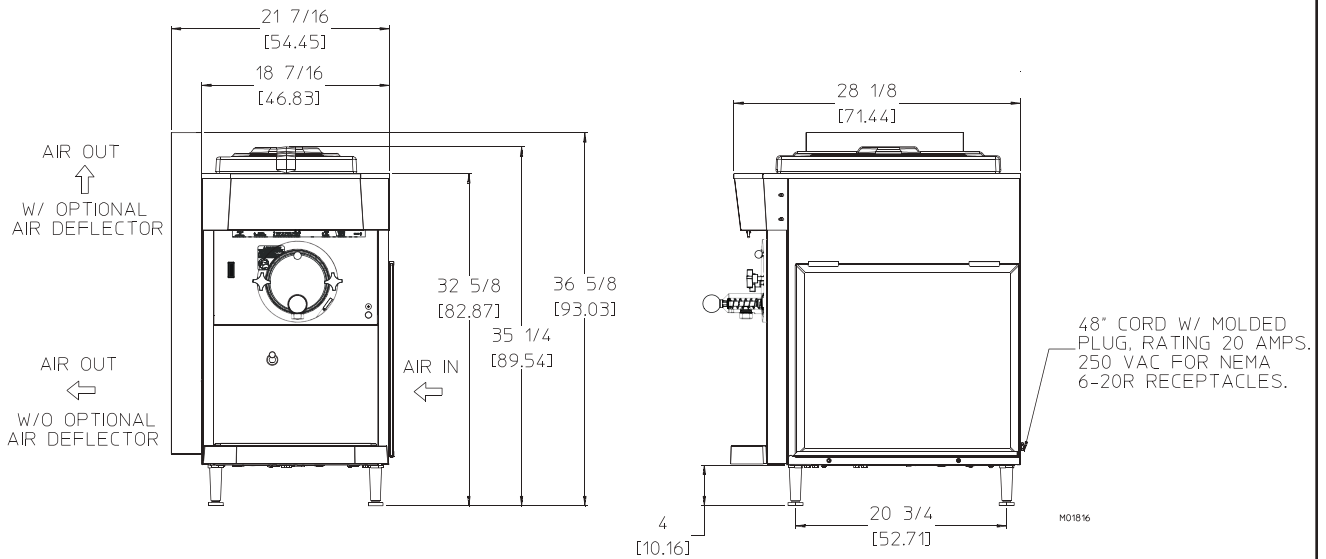
## CS900

This counter-model high volume slush freezer features a small footprint. The CS900's consistency control is designed to dispense the finest frozen product available. Great for restaurants, QSRs, beach resorts, bars and restaurants.



### Optional

- **Flavor Rack**
- **Top Air Discharge Chute** the top air discharge chute on air cooled models allows units to be set side by side and air flow to be diverted up.
- **Cabinet** an optional commercial grade stainless steel cabinet is available includes heavy duty casters, a sturdy latch and gives you 6 cubic feet of storage.



### MODEL CS900 SPECIFICATIONS

Due to continual product improvements *all specifications are subject to change without notice.*

<b>Weights</b>	<b>lbs.</b>	<b>kgs.</b>	
Net	294	133.36	
Crated	390	176	
	<b>cu.ft.</b>	<b>cu.m.</b>	
Volume	39.47	1.12	
<b>Dimensions</b>	<b>in.</b>	<b>cm</b>	
Width	18-7/16	46.83	
Depth	28-1/8	71.44	
Height	35-1/4	89.54	
<b>Electrical</b>	<b>Maximum Fuse Size</b>	<b>NEMA Plug Type</b>	<b>Poles (P) Wires (W)</b>
208-230/60/1 Air	12.5	6-20P	2P, 2W
	<b>Total Amps</b>	<b>kW</b>	<b>Poles (P) Wires (W)</b>
220-240/50/1 Air	12	2.4	2P, 2W

Electrical characteristics other than above available on request from factory or local distributor. Check nameplate for exact electrical data.

#### Electrical

One dedicated electrical connection is required. Connects to a standard NEMA 6-20R receptacle. See electrical chart for the proper requirement. Consult your local electrical codes for receptacle specifications.

#### Beater Motor

One, 1/2 hp.

#### Refrigeration Systems

One, 8,000 Btuh. R404a.  
Btuh may vary depending on compressor used.

#### Air Cooled

3" (7.6cm) air space required on both sides and the rear panel for proper air circulation.

**Mix Hopper Capacity:** one - 20 quarts (18.8 liters)  
**Freezing Cylinder Capacity:** one - 7.6 quarts (7.1 liters)

*Specs are subject to change pending UL certification.*

#### Bidding Spec

Electrical: Volt \_\_\_\_\_ Hz \_\_\_\_\_ Ph \_\_\_\_\_

Cooling: \_\_\_\_\_ Neutral \_\_\_\_\_ Yes \_\_\_\_\_ No \_\_\_\_\_

Options: \_\_\_\_\_

\_\_\_\_\_

\_\_\_\_\_



**Electro Freeze div. of H.C. Duke & Son, LLC**

2116-8th Avenue, East Moline, Illinois 61244 USA

Phone (309) 755-4553 • (800) 755-4545

FAX (309) 755-9858

E-mail: sales@electrofreeze.com • www.electrofreeze.com

**Authorized Distributor**